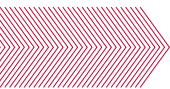




## PROFESSIONAL EQUIPMENT FOR LAUNDRIES





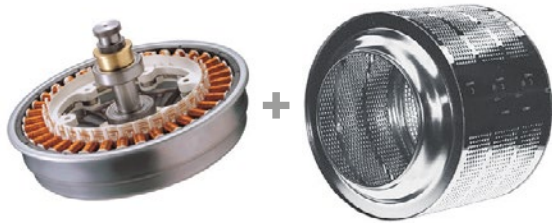
## Why **LG?**

**LG professional laundry equipment** is designed to save money for companies to which laundry washing and drying is a secondary business activity (hotels, restaurants, marines, etc.) and to help make money for companies whose main business focus is laundry washing and drying (laundrettes). However, picking out the right laundry equipment can be tricky. This is where we come in because we also offer education on which equipment to choose for a specific type of business; while domestic washing machines aren't

suited for, say, 10 apartments, industrial washers are too big of a bite for a business like that to swallow. In the calculation which entails a big range of price and individual business needs, LG professional laundry equipment gives an accurate result - its washers and dryers have an Energy Star qualification, which means they have met the very strict requirements of the Environmental Protection agency. This also means that they have put themselves in an advantageous position in relation to other brands of laundry equipment.



## Quality material - it lasts long and stays strong



### **INVERTER DIRECT DRIVE™ MOTOR**

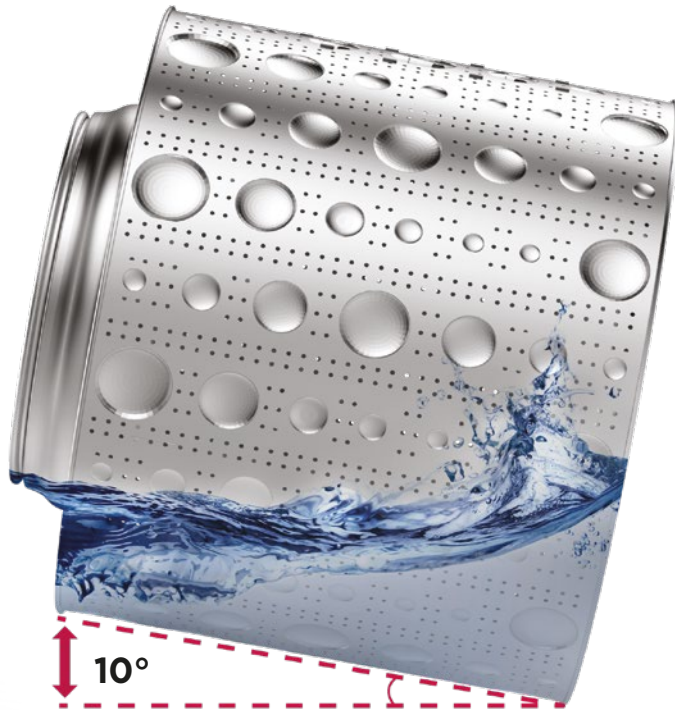
Unlike the traditional belt and pulley system, professional LG washers have their laundry drum attached directly to the motor. This system has a lot less moving parts, which makes it less likely to break down. It also saves energy and lasts longer. Besides, this system eliminates that awful noise washers make which we all know about.



### **WAVEFORCE**

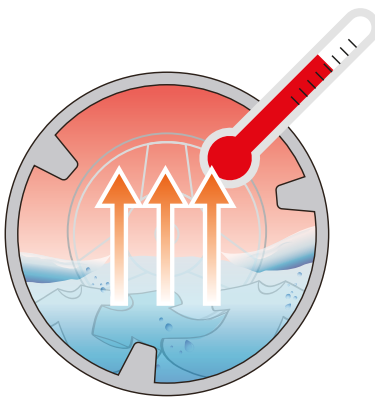
At the end of a cycle, nozzle sprays squirt water through the drum in order to clean the drum and the tub, which helps maintaining the tub clean.

# More technology, less work



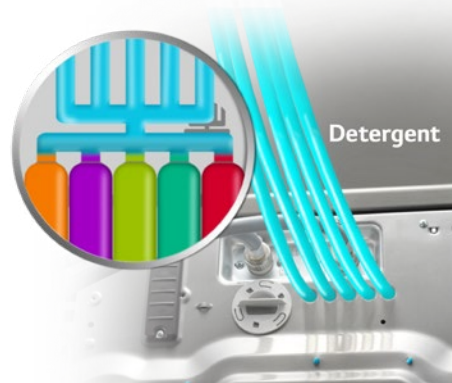
## TILTED DRUM

The drum made of stainless steel is tilted 10°, which helps save the cost of water usage.



## SELF-HEATING SYSTEM

Washers are connected to the hot and cold water supply. The system detects the water temperature and automatically adjusts the temperature if needed. This saves time and reduces the cost of electric energy.



## AUTO DOSING SYSTEM

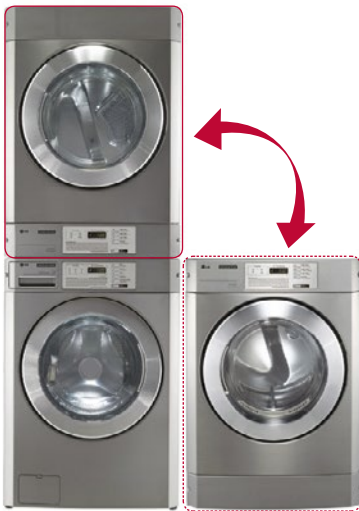
LG professional washers have a built-in systems for detergent pumps. This system controls 4 or 5 signals for liquid squirting.



## ATOMIZING SYSTEM

The Atomizing nozzle sprays water directly onto the laundry, making it soak in water faster. Instead of filling the drum with water from the bottom up, this system speeds up the washing process and saves water.





### FLEXIBLE INSTALLATION

LG professional dryers can be installed onto another dryer or a washerstacked configurations.



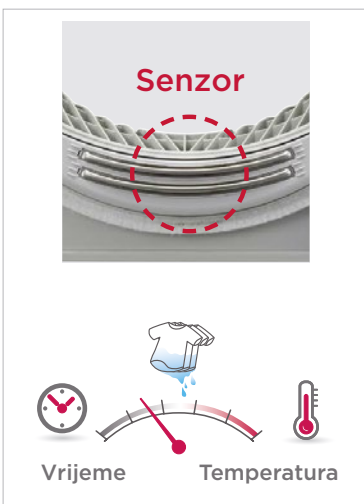
### ADJUSTED PROGRAMS

Users can set up 20 of their programs to optimize the washing process.



### HEATER ON/OFF FLEXIBILITY

The possibility of turning off the heater enables faster work in self-service laundrettes. In that case, washers use the water from an external water heater.



### TEMPERATURE AND AIRFLOW SENSOR

For laundry to dry properly, two things are needed – airflow and its temperature. LG dryers have built-in airflow sensors and temperature, who optimize the flow for the better and faster drying process.



### ADAPTABLE™ CONTROLS

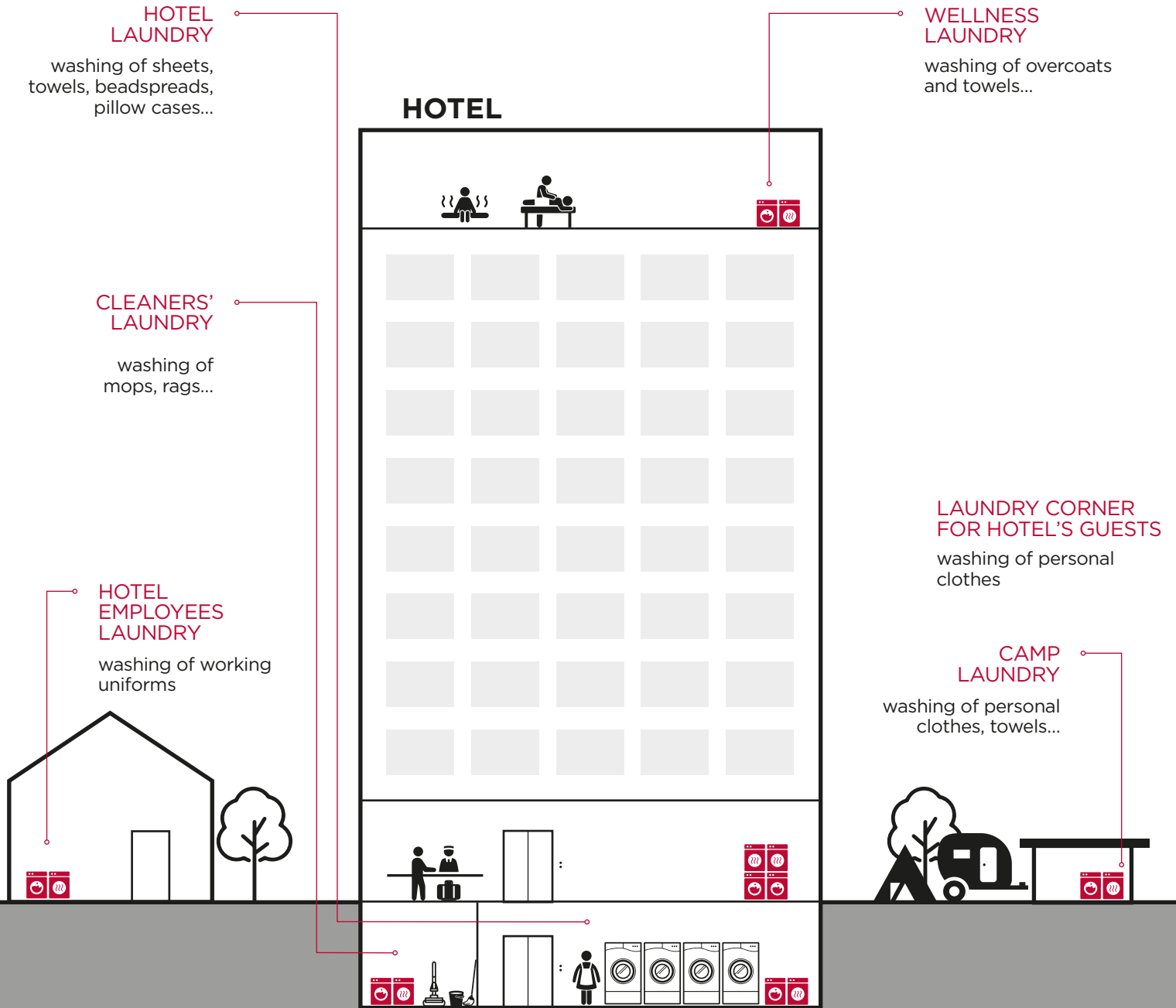
Controls for adjusting programs can simply be moved from one part of the dryer to another for easier accessibility.



### THE OPTION OF THE COIN BOX CONNECTION

This option is ideal for laundrettes, especially the self-service kind, but also marines, camps, and others.

# LG laundry - hotel application



# Professional washer LG Titan C



## LG washer Titan C

DRUM	
Drum volume	147 lit
Capacity	15 kg
Max capacity	18 kg
STRENGTH AND VOLTAGE	
Heating power	3,8 kW
Electric ratings	220 V/50 Hz
OTHER SPECIFICATIONS	
Extract (high speed)	980 o/min
G-faktor	327
Weight	101 kg
Drain valve	Da
Noise level	<62dB
Dimensions (WxHxD)	737x1036x814 mm

### CAPACITY

**15 kg**  
max 18 kg

### TOTAL POWER

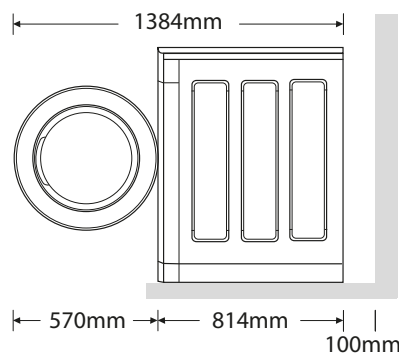
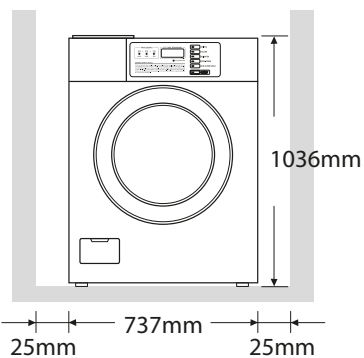
**3,8 kW**

### FAST PROGRAMS



### LARGE DRUM VOLUME

**147 l**



Tub clean & waveform



Auto Dosing system



## LG washer **Giant C**

DRUM	
Drum volume	103 lit
Capacity	10 kg
Max capacity	13 kg
STRENGTH AND VOLTAGE	
Heating power	3,6 kW
Electric ratings	220 V/50 Hz
OTHER SPECIFICATIONS	
Extract (high speed)	1150 o/min
G-force	413
Weight	90 kg
Drain Pump	Da
Noise level	<62dB

### CAPACITY

**10 kg**  
max 13 kg

### TOTAL POWER

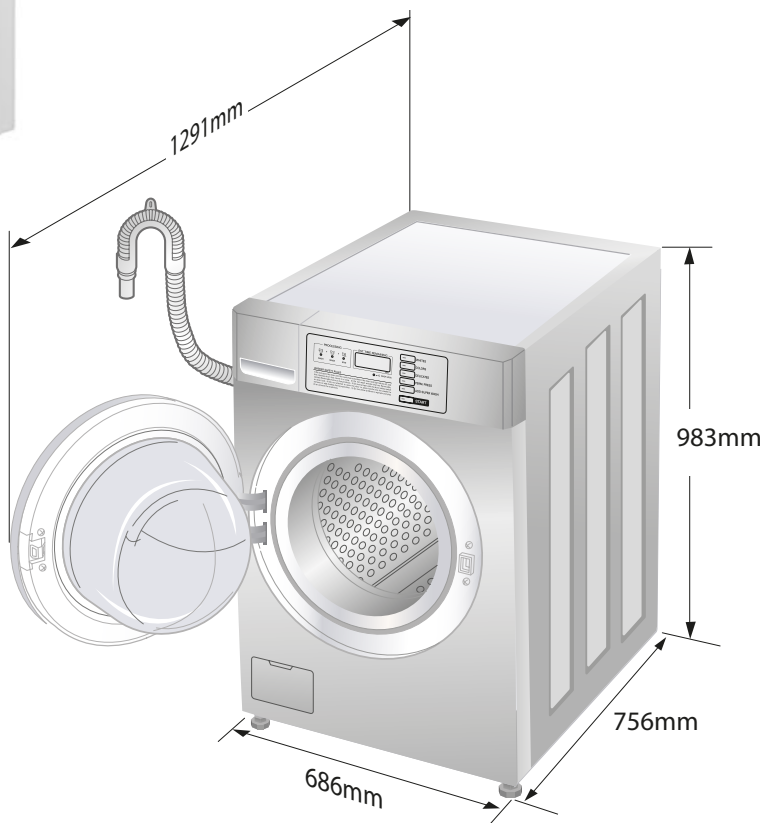
**3,6 kW**

### FAST PROGRAMS



### LARGE DRUM VOLUME

**103 l**



Space saving



Atomizing system



Tilted drum



# Professional dryer Giant C



## LG dryer **Giant C**

DRUM	
Drum volume	207 lit
Capacity	10 kg
STRENGTH AND VOLTAGE	
Heating type	electric/gas
Type of drying	ventilation
Heating power	5,4 kW
Electric ratings	220 V/50 Hz
OTHER SPECIFICATIONS	
Weight	60 kg
Possibility of connecting to a dryer	Da

CAPACITY

**10 kg**

TOTAL POWER

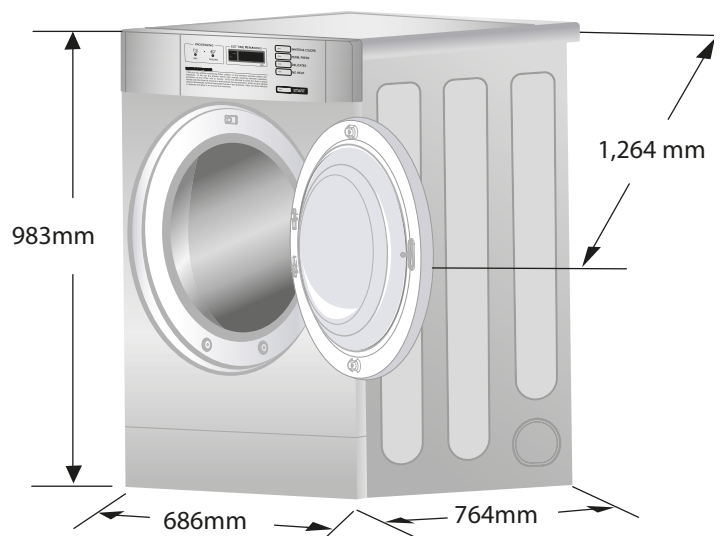
**5,4 kW**

FAST PROGRAMS



LARGE DRUM VOLUME

**207 l**



Space saving



Flexible installation



Premium Powder Coating



# Caring for your appliances means caring for your business

## Service is a lot more than just taking care of malfunctions.

It's also making sure that our clients' businesses run smoothly through installation, prevention, and maintenance.

The workflow stoppage is not just an inconvenience to entrepreneurs. It's also a threat to business and their profit. If you need a spare part for your appliance or just a piece of advice, our experts and service network are here to offer you quick and professional help.

## Our service includes

- Expert service providers who supervise installation and appliance handover at the object
- Service network which includes qualified service providers who ensure maintenance at the highest professional standards
- Maintenance of appliances on all areas of a country - regardless of where you are located, our service providers are one phone call away
- Removal of malfunction in the fastest possible timeframe
- Accessibility of a complete range of spare parts

We can offer you a contract on preventive maintenance which can be adjusted according to your specific needs, ensuring, therefore, the lower frequency of malfunctions occurring. Preventive maintenance reduces the cost of maintenance and increases productivity. Maintenance is provided in accordance with appliance manufacturers and quality control.



Easy repair system



# References



*I would recommend anyone who wishes to become an entrepreneur to open a laundrette.*

SELF-SERVICE LAUNDRETTE, ZADAR

*LG appliances are durable and of good quality, ideal for the needs of a hostel*

HOSTEL, DUBROVNIK



*I am very satisfied with LG professional appliances. They are solid, reliable and easy to use.*

HOTEL, PULA





# Professional washers and dryers with specialized programs for all your needs



SELF-SERVICE  
LAUNDRETTES



MARINES



CAMPS



HOTELS



RESTAURANTS



HEALTH  
INSTITUTIONS



FIREFIGHTERS